

# COMPATIBILITÀ FLANGE / COMPATIBILITY FLANGE

| MODELLO - CC. - ANNO<br>MODEL - CC. - YEAR | FLANGIA<br>FLANGE | NOTE<br>NOTE |
|--|-------------------|--------------|
|--|-------------------|--------------|

## APRILIA

|                                      |      |  |
|--------------------------------------|------|--|
| RS 125                               | BF02 |  |
| Shiver 750 / Shiver GT 750 (07 > 09) | BF02 |  |

## BENELLI

|                             |      |  |
|-----------------------------|------|--|
| Cafè Racer 899 (10)         | BF02 |  |
| Cafè Racer 1130 (10)        | BF02 |  |
| Titanium (10)               | BF02 |  |
| Tornado Naked Tre 899 (10)  | BF02 |  |
| Tornado Naked Tre 899S (10) | BF02 |  |
| Tornado Naked Tre R160 (10) | BF02 |  |

## CAGIVA

|          |      |  |
|----------|------|--|
| Mito 125 | BF05 |  |
|----------|------|--|

## HONDA

|  |      |  |
|--|------|--|
| CB 600 F Hornet / Hornet ABS (07 > 09) | BF03 |  |
| CBF 600S / CBF 600N (04 > 09)          | BF03 |  |
| CBR 600 RR (07 > 09)                   | BF03 |  |
| NT 700 Deauville (06 > 09)             | BF03 |  |
| Honda XL 700 V Transalp (08-10)        | BF03 |  |
| VFR 800 VTEC (02 > 09)                 | BF03 |  |
| CBR 1000 RR (08 > 09)                  | BF03 |  |
| CB 1000 R (08 > 10)                    | BF03 |  |
| CBF 1000 / CBF 1000 ST (10)            | BF03 |  |
| Honda CBF 1000 (06-09)                 | BF03 |  |
| Honda VFR 1200 F (10)                  | BF03 |  |

## KAWASAKI

|                 |      |  |
|-----------------|------|--|
| ER-6N (09)      | BF04 |  |
| ZX-6R (09 > 10) | BF04 |  |
| Z 750 (07 > 09) | BF04 |  |
| Z1000 (10)      | BF04 |  |
| ZX10R (10)      | BF04 |  |

## MV

|                                   |      |  |
|-----------------------------------|------|--|
| Agusta Brutale 750/910/1078 (>09) | BF05 |  |
| F4 750-1000                       | BF05 |  |

## SUZUKI

|   |      |  |
|---|------|--|
| GSR600 (06 > 10)                          | BF01 |  |
| GSX-R 600/750 (09-10)                     | BF01 |  |
| GSX650F (08 > 10)                         | BF01 |  |
| Gladius 650 (09)                          | BF01 |  |
| GSF 650 Bandit / GSF 650 Bandit S K9 (09) | BF01 |  |
| GSX-R1000 (09 > 10)                       | BF01 |  |
| GSX1250F (10)                             | BF01 |  |

| MODELLO - CC. - ANNO<br>MODEL - CC. - YEAR | FLANGIA<br>FLANGE | NOTE<br>NOTE |
|--|-------------------|--------------|
|--|-------------------|--------------|

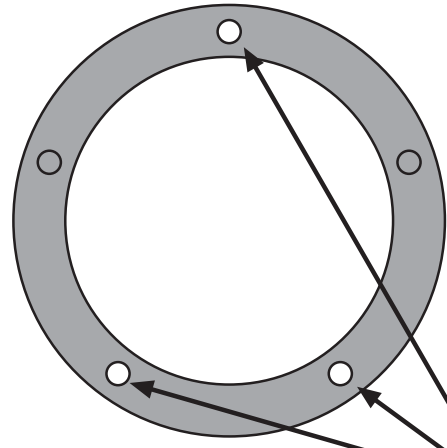
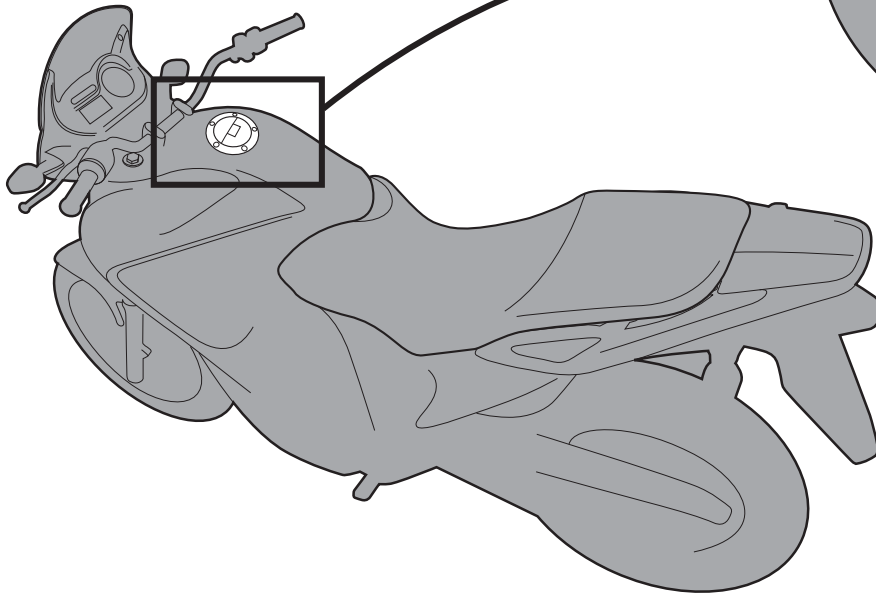
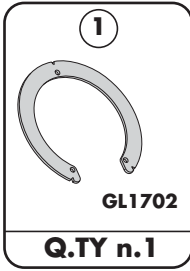
## TRIUMPH

|                             |      |  |
|-----------------------------|------|--|
| Street Triple 675 (07 > 10) | BF02 |  |
| Daytona 675                 | BF02 |  |
| Speed Triple 1050 (05-10)   | BF02 |  |
| Sprint ST 1050 (05-10)      | BF02 |  |
| Tiger 1050 (07-10)          | BF02 |  |
| Sprint GT 1050 (10)         | BF02 |  |

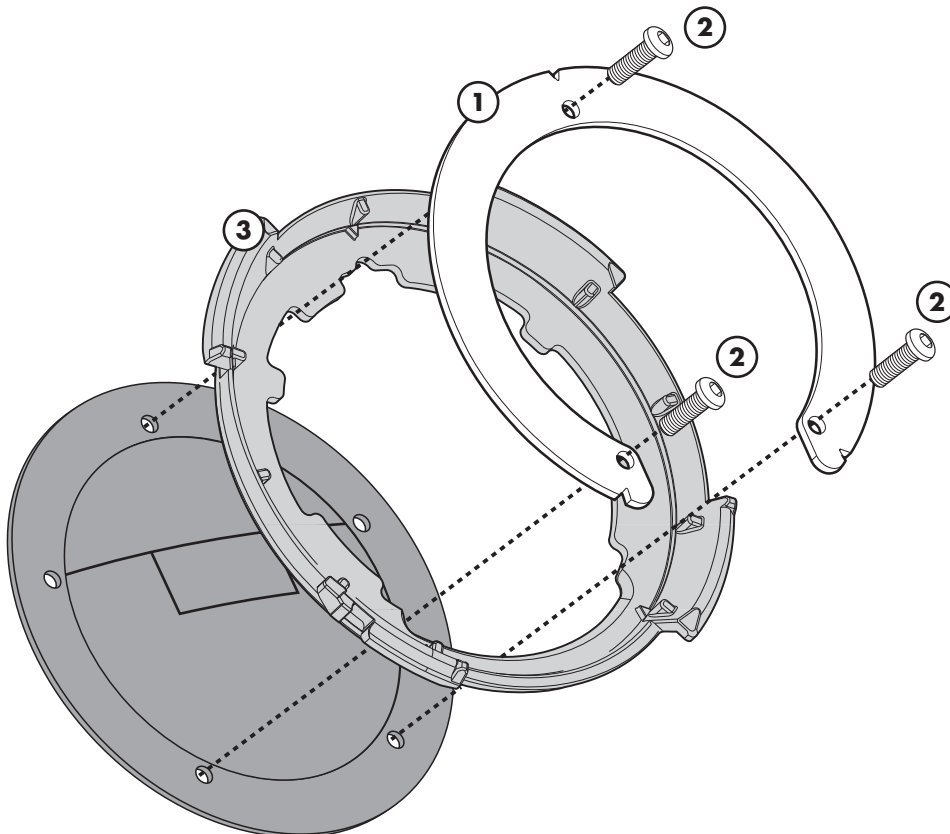
## YAMAHA

|                                     |      |  |
|-------------------------------------|------|--|
| FZ6/FZ6 600 Fazer (04 > 06)         | BF05 |  |
| FZ6 S2 / FZ6 600 Fazer S2 (07 > 10) | BF05 |  |
| XJ6 / XJ6 Diversion 600 (09)        | BF05 |  |
| YZF R6 (06>07)                      | BF05 |  |
| MT 03 600 (06 > 09)                 | BF05 |  |
| XT 660Z Teneré (08 > 09)            | BF05 |  |
| FZ8 / Fazer 8 (10)                  | BF05 |  |
| TDM 900 (02 > 09)                   | BF05 |  |
| FZ1 (06 > 10)                       | BF05 |  |
| FZ1 Fazer (06 > 10)                 | BF05 |  |
| YZF R1 1000 (09)                    | BF05 |  |
| YZF R1 1000 (10)                    | BF05 |  |
| FJR 1300 (06>09)                    | BF05 |  |
| XJR 1300 (07 > 10)                  | BF05 |  |

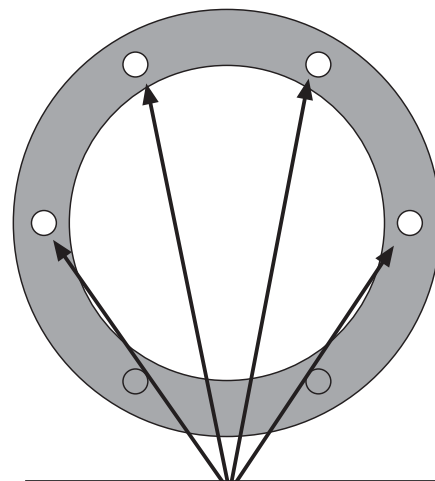
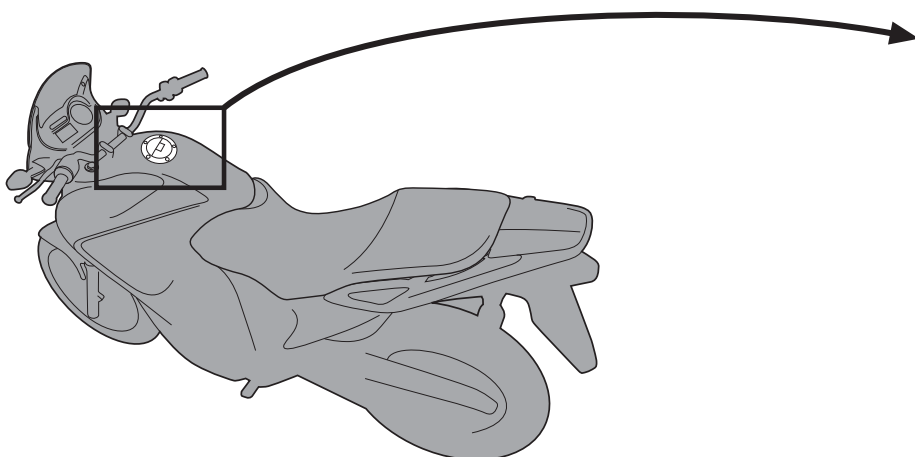
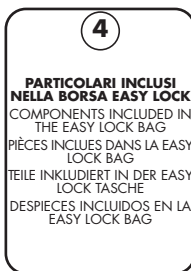
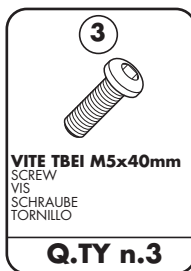
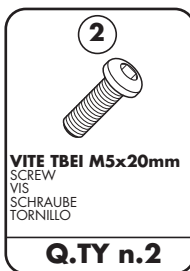
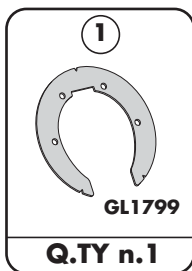
# BF01



Rimuovere le viti originali  
Remove the original screws  
Enlevez les vis originales  
Entfernen Sie die Originalschrauben  
Mover los tornillos originales

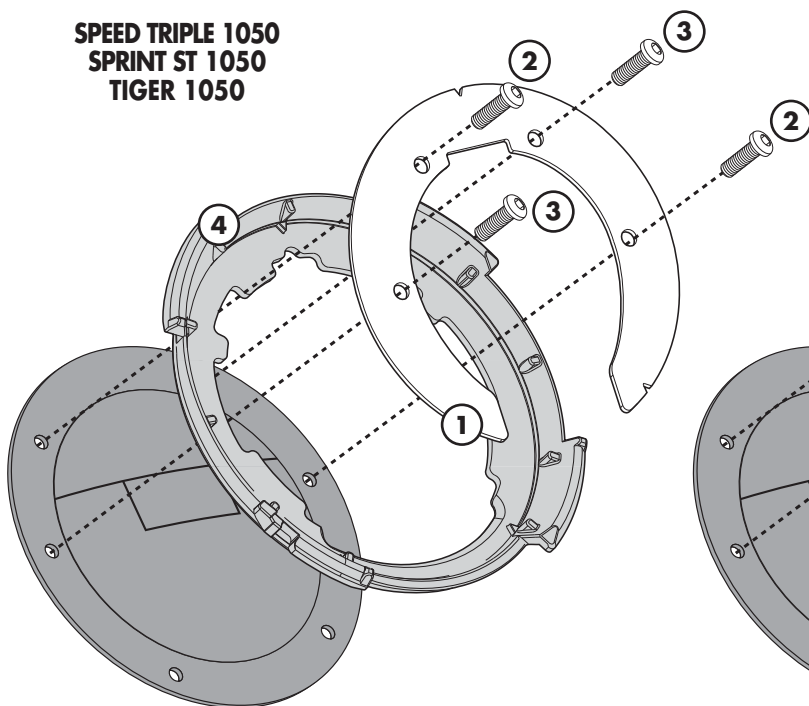


# BF02

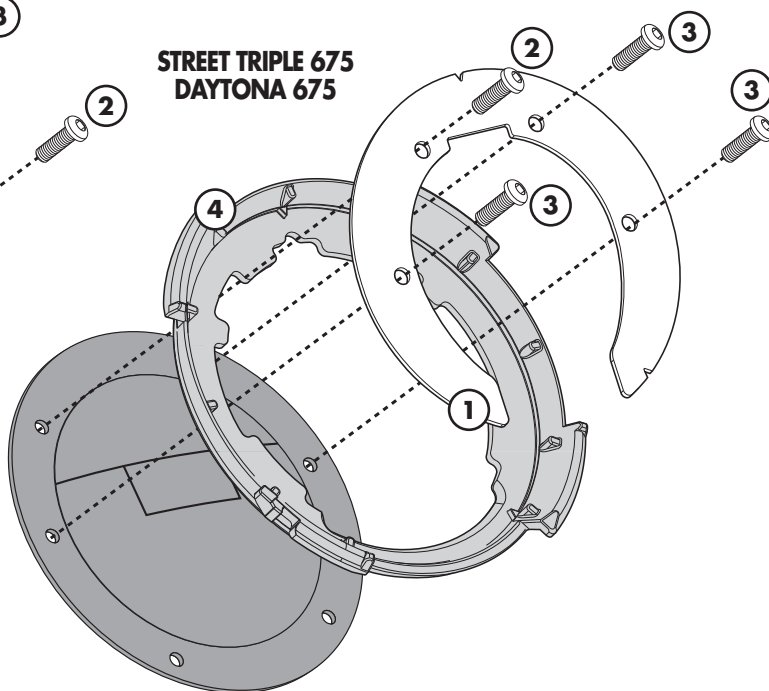


Rimuovere le viti originali  
Remove the original screws  
Enlevez les vis originales  
Entfernen Sie die Originalschrauben  
Mover los tornillos originales

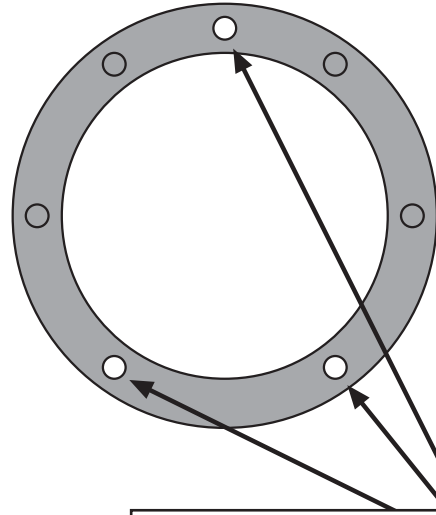
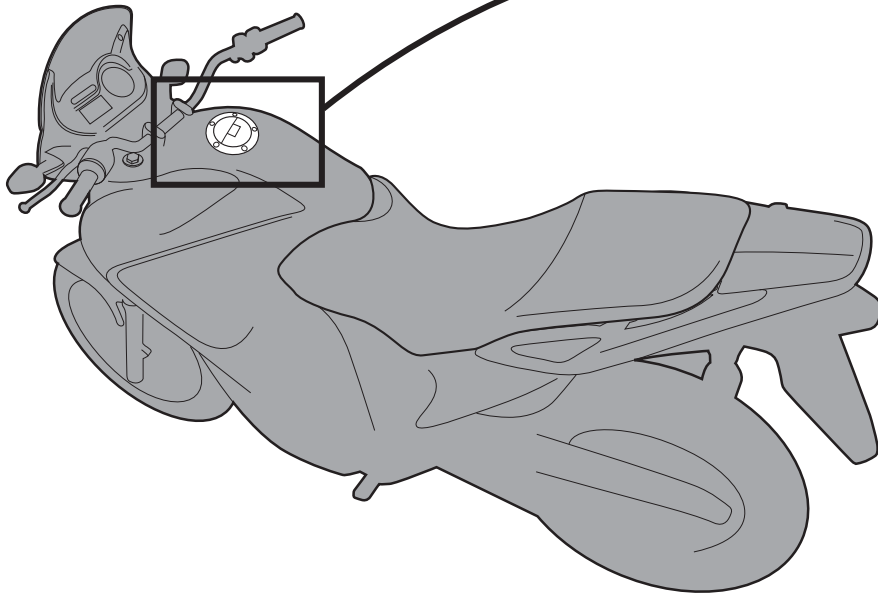
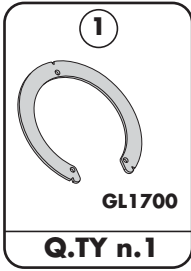
**SPEED TRIPLE 1050  
SPRINT ST 1050  
TIGER 1050**



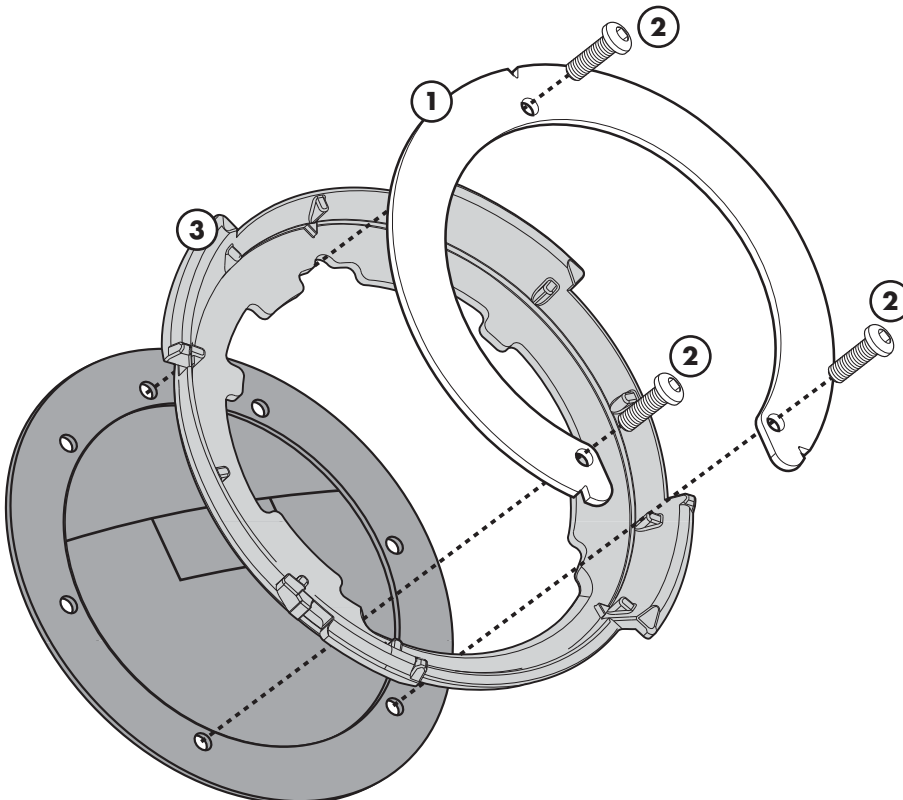
**STREET TRIPLE 675  
DAYTONA 675**



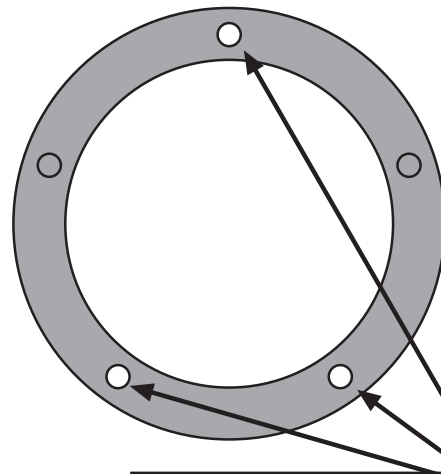
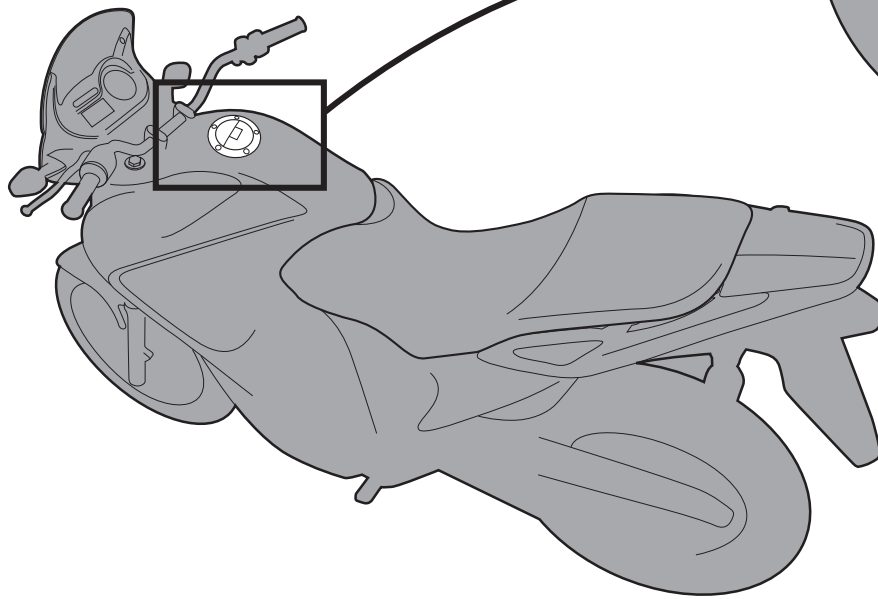
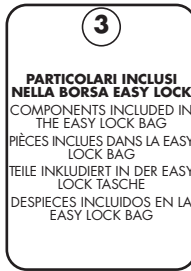
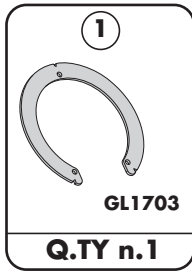
# BF03



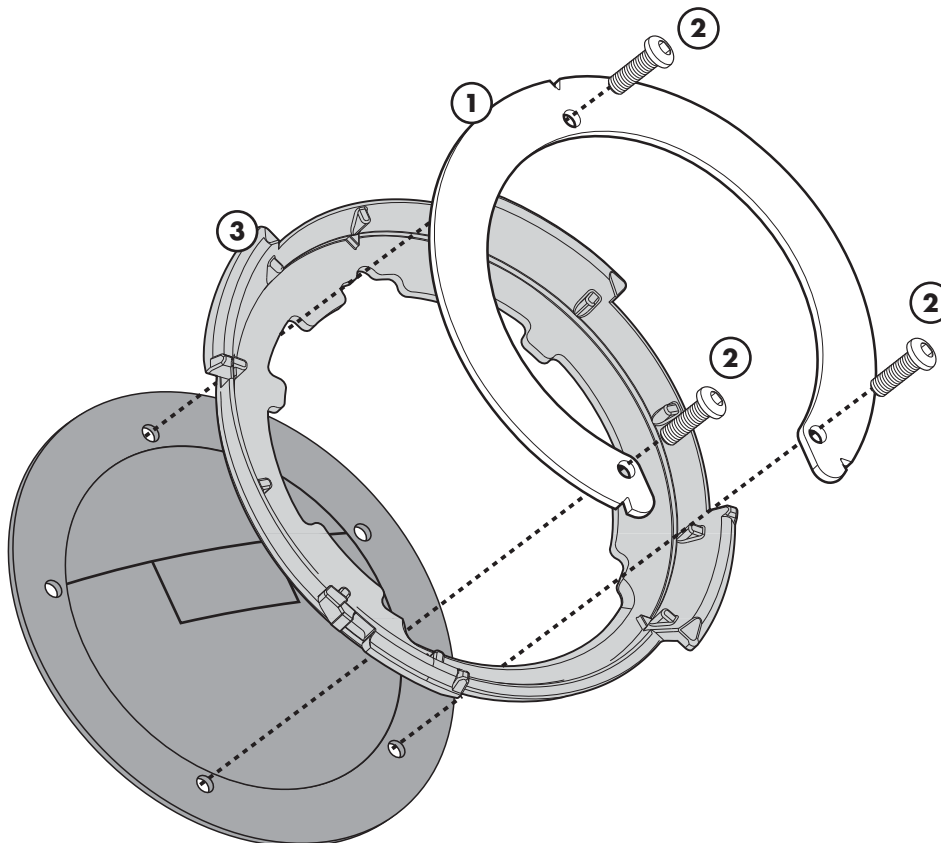
Rimuovere le viti originali  
Remove the original screws  
Enlevez les vis originales  
Entfernen Sie die Originalschrauben  
Mover los tornillos originales



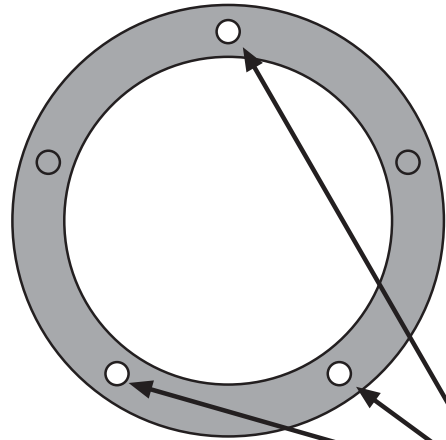
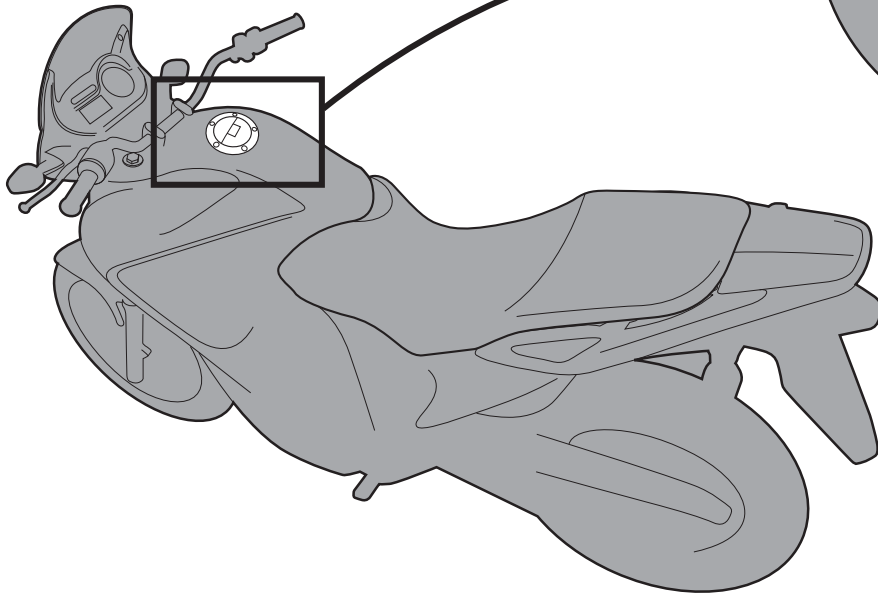
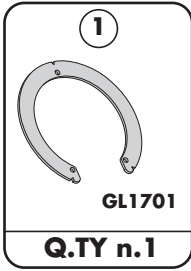
# BF04



Rimuovere le viti originali  
Remove the original screws  
Enlevez les vis originales  
Entfernen Sie die Originalschrauben  
Mover los tornillos originales



# BF05



Rimuovere le viti originali  
Remove the original screws  
Enlevez les vis originales  
Entfernen Sie die Originalschrauben  
Mover los tornillos originales

